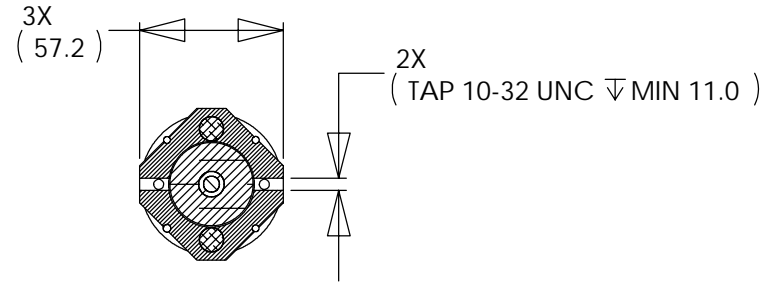
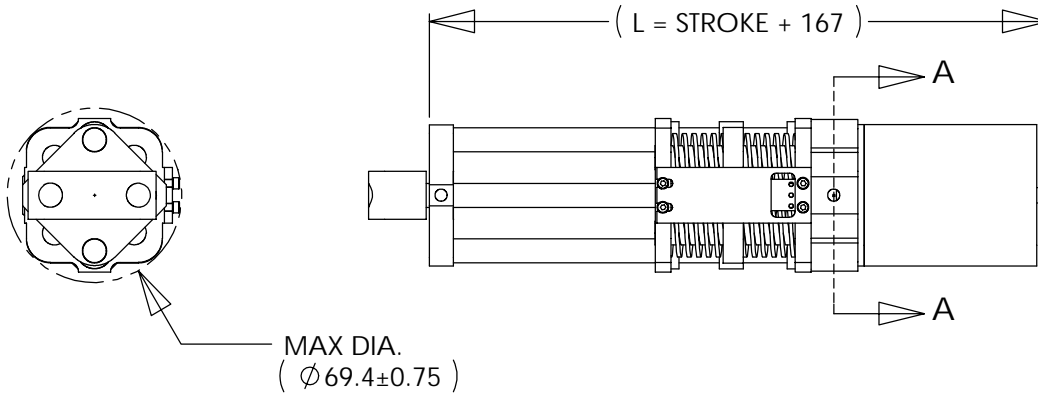
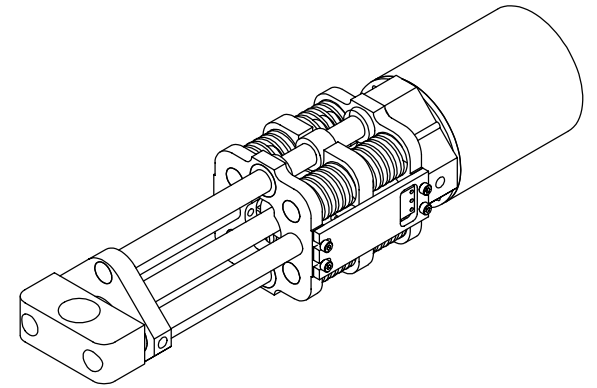
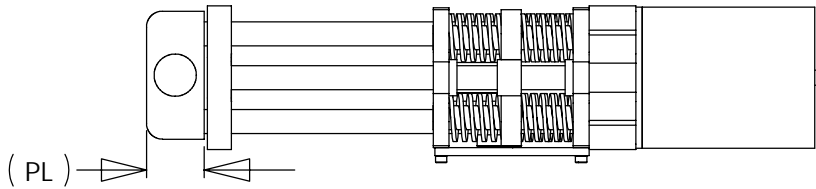


THE INFORMATION CONTAINED IN THIS DRAWING IS THE SOLE PROPERTY OF YOBOTICS, INC. ANY REPRODUCTION IN PART OR WHOLE WITHOUT THE WRITTEN PERMISSION OF YOBOTICS, INC. IS STRICTLY PROHIBITED.



NOTE:

PL: PLUNGER LENGTH DEPENDS ON MOUNTING OPTION.  
 SHOWN WITH PLUNGER CONFIGURED FOR MOUNTING A SPHERICAL BEARING.  
 OTHER OPTIONS AVAILABLE. CONTACT YOBOTICS FOR CUSTOM MOUNTING.

PLUNGER TYPE	Length (PL)
SPHERICAL BEARING	22.9
CABLE MOUNT	15.9

SECTION A-A

UNLESS OTHERWISE SPECIFIED DIMENSIONS IN MILLIMETERS TOLERANCES ARE:

LINEAR	ANGULAR
X ± 0.5	X° ± 1.0°
X ± 0.25	X° ± 0.5°
XX ± 0.1	XX° ± 0.1°

**YOBOTICS, INC.**

www.yobotics.com  
 617.464.2144

MATERIAL	CAD FILE
FINISH	<b>MARKETING DRAWING</b>
QUANTITY	DESCRIPTION
DRAWN	DWG. NO.
DATE	SEA-23-28
	REV. 1

CUSTOMER	PROJECT
1125 WATT SERIES ELASTIC ACTUATOR	
DWG. SIZE	A
SCALE	1:3
SHEET	1 OF 1

REV.	MADE BY	DATE	DESCRIPTION